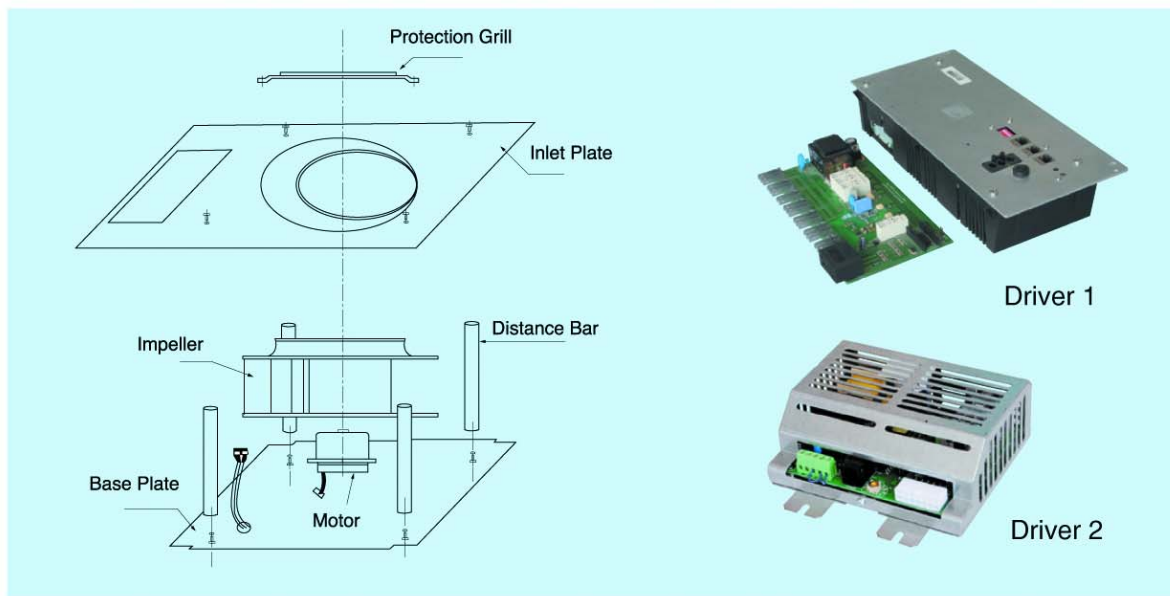
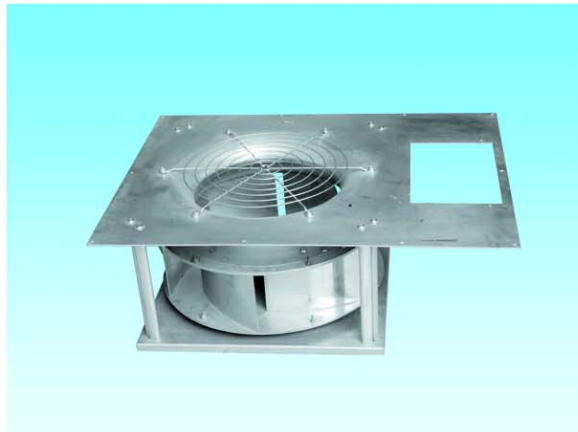


FAN FILTER UNIT



The complete fan unit, i.e., the small external rotor motor, assembled with an impeller, requires minimum space. The unique integration of both rotating parts the motor and the impeller permits precision balancing. The motor and the impeller are directly in the air stream and are thus efficiently cooled. resulting in minimum thermal and mechanical stress on the bearings which extends service life. The complete unit can be mounted or dismantled within a few minutes.

--Air flow data

| Velocity(m/s) | Air Volume(m ³ /h) |
|---------------|-------------------------------|
| 0.30 | 1555 |
| 0.35 | 1814 |
| 0.40 | 2073 |
| 0.45 | 2333 |

--External pressure drop data

| Velocity(m/s) | External pressure drop(Pa) |
|---------------|----------------------------|
| 0.30 | 227 |
| 0.35 | 187 |
| 0.40 | 149 |
| 0.45 | 100 |

