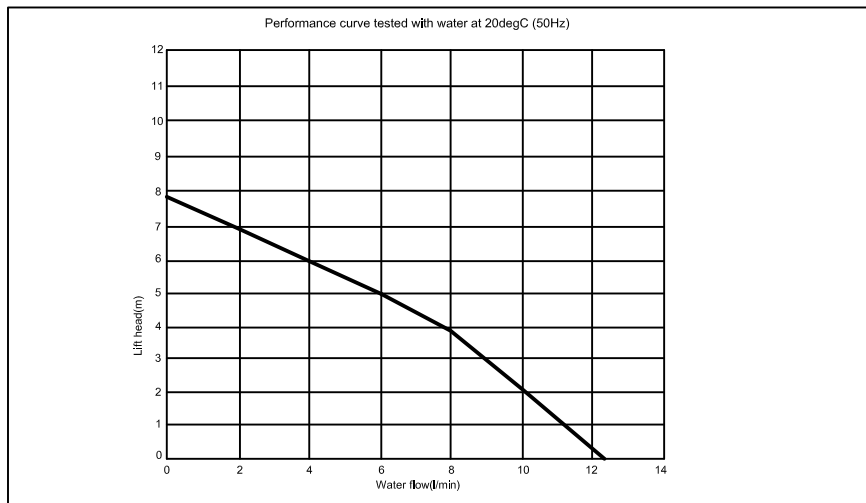
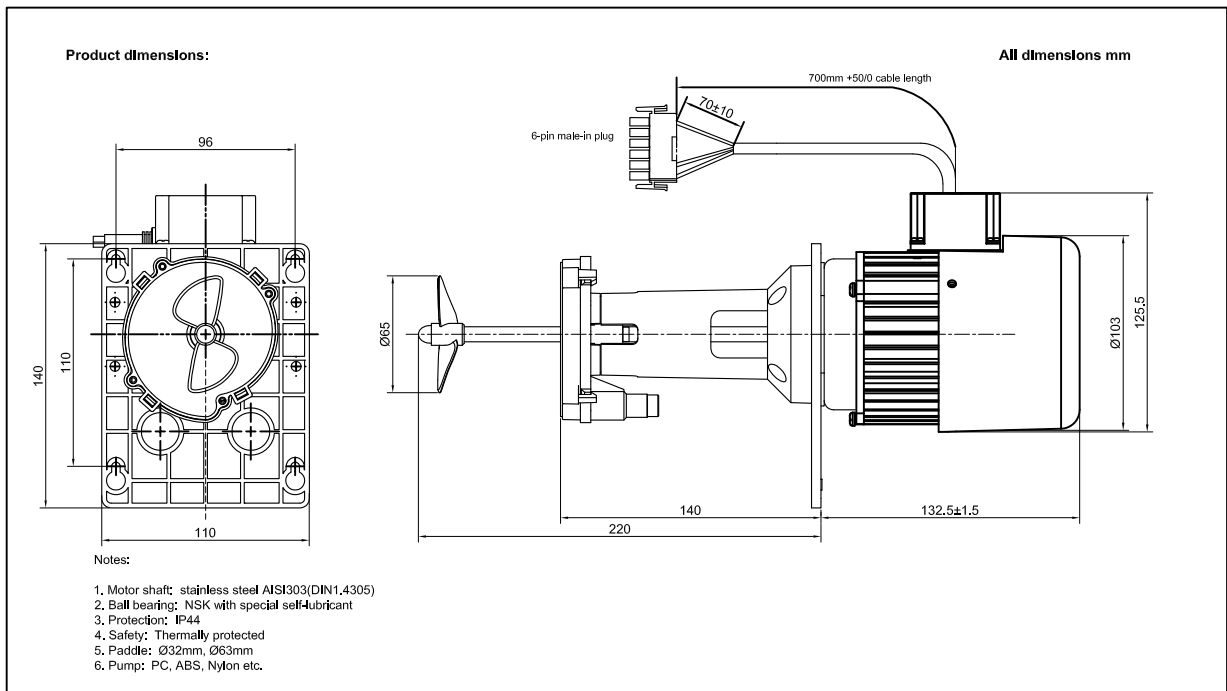


COOLING PUMP

ITG



Technical data:

Type	Voltage (V)	Frequency (Hz)	Output power (W)	Speed (rpm)	Max. flow (l/min)	Max head (m)
ACP-M80S-7M	220~240	50~60	50	2900	12.3	7.5
ACP-M80B-7M	220~240	50~60	50	2900	12.3	7.5