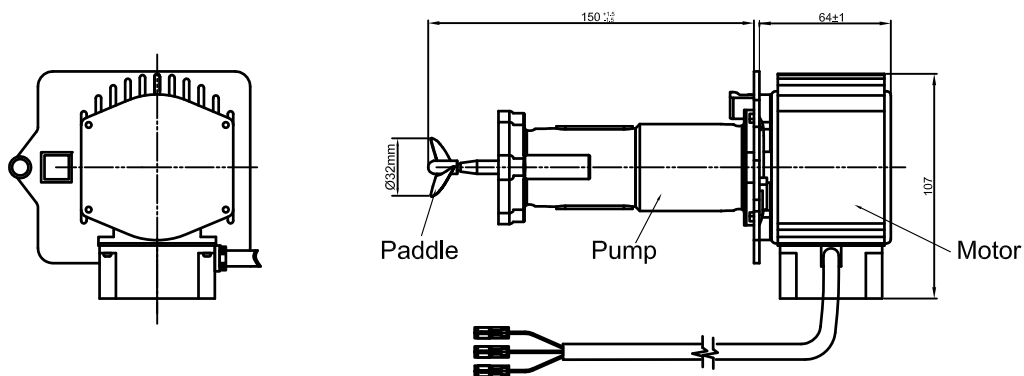


COOLING PUMP

ITG

Product dimensions:

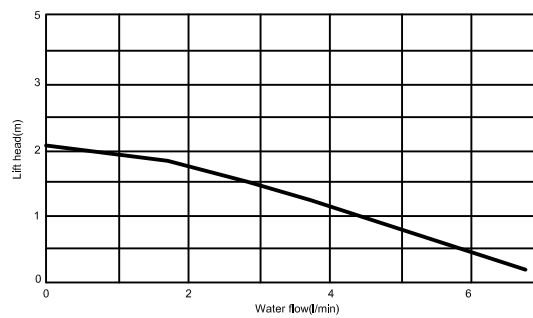
All dimensions mm



Notes:

1. Motor shaft: stainless steel AISI303(DIN1.4305)
2. Ball bearing: NSK with special self-lubricant
3. Protection: IP44
4. Safety: Thermally protected
5. Paddle: Ø32mm
6. Pump: PC, ABS, Nylon etc.

Performance curve tested with water at 20degC (50Hz)



Technical data:

Type	Voltage (V)	Frequency (Hz)	Input power (W)	Speed (rpm)	Max. flow (l/min)	Max head (m)
ACP-M65-2M-1	115	60	17	3400	7.2	2.2
ACP-M65-2M-2	230	50	15	2850	6.5	2.2