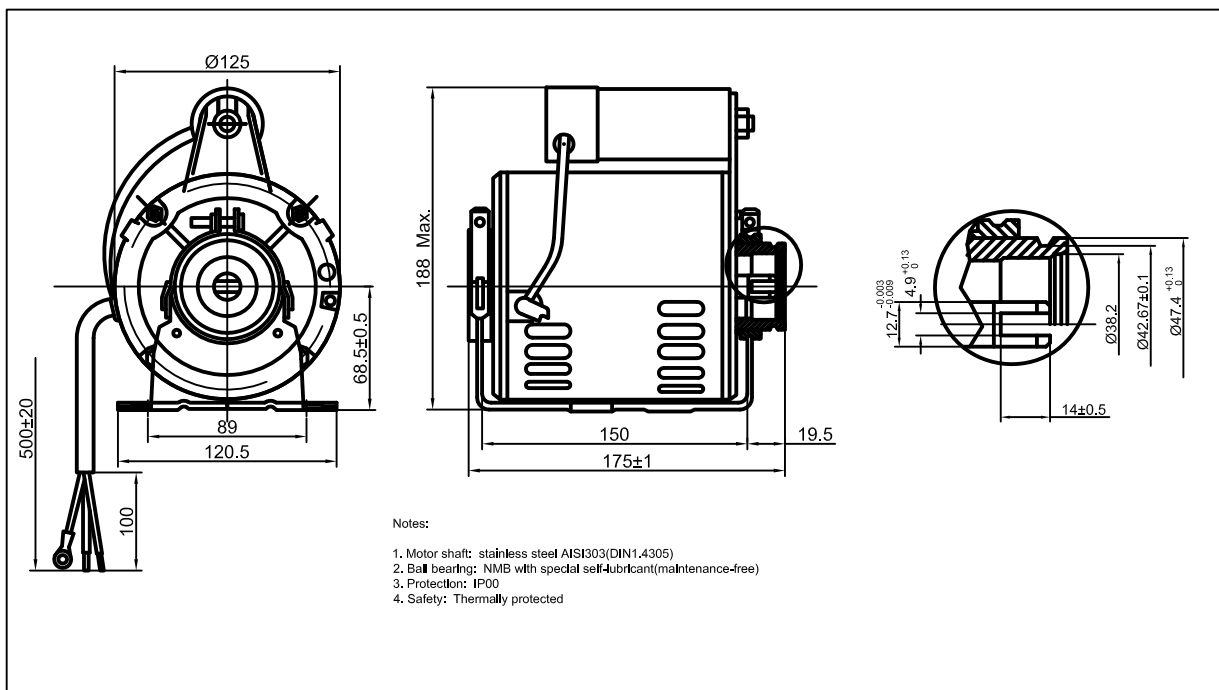
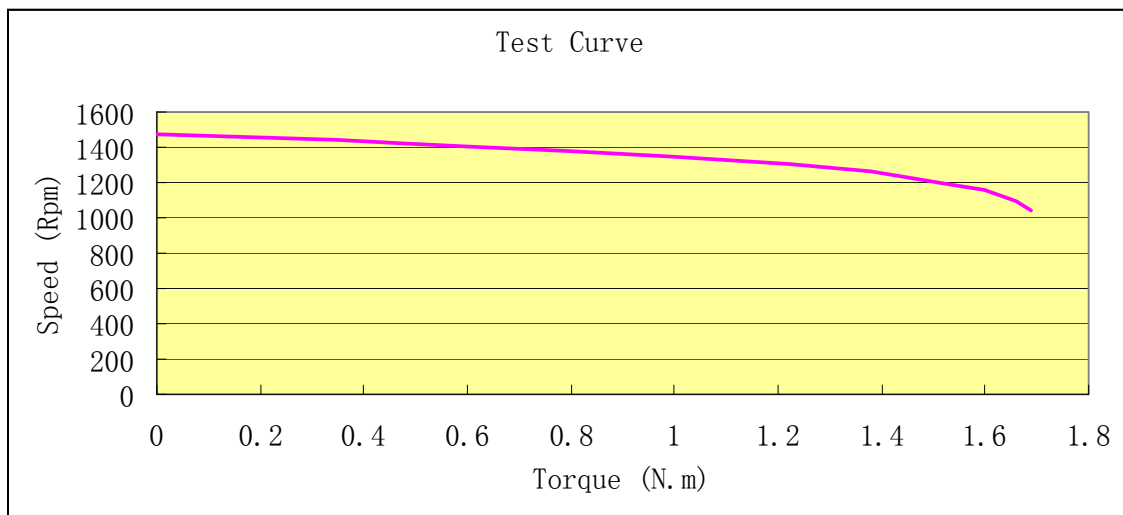


# CARBONIZER MOTOR

# ITG



Test Curve



Technical data:

Type	Voltage (V)	Frequency (Hz)	Power input (W)	Speed (rpm)	Current input (A)	Capacitor (uF/VDB)	Torque (N.cm)	Weight (Kg)
IAC120-HPP-19080	220~240	50~60	190	1400	0.85	8/450		
IAC120-HPP-400184	220~240	50~60	400	1400	2	10/450		
IAC120-HPP-355205	100	50~60	355	1400	1.5	35/250		
IAC120-HPP-400184	100	50~60	200	1400	4.2	25/250		