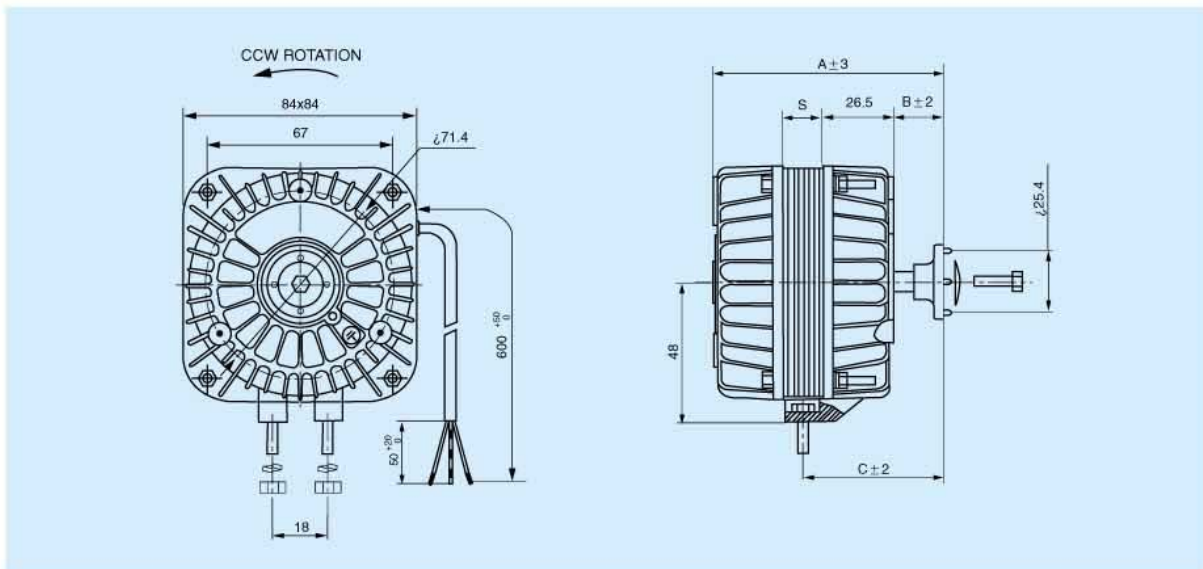


# Q-MOTOR

18mm Bracket



Motor		Voltage		220/240V(VDE),110/120V(UL)			Dimensions				Protection
		Frequency		50/60Hz(VDE),60Hz(UL)			S	A	B	C	
Type	Code	Power	Current	Speed	Approvals	Weight					
(W)		(Win/out)	(A)	(rpm)			(Kg)	(mm)	(mm)	(mm)	(mm)
5	IVQ05	33/5	0.25	1300	VDE/CE	0.8	13	79	13	44	impedance
7	IVQ07	38/7	0.30	1300	VDE/CE	1.1	20	85	13	44	impedance
10	IVQ10	40/10	0.35	1300	VDE/CE	1.1	20	85	13	44	impedance
16	IVQ16	70/16	0.50	1300	VDE/CE	1.4	25	92	14	45	thermostat
18	IVQ18	73/18	0.50	1300	VDE/CE	1.5	30	101	17	48	thermostat
25	IVQ25	95/25	0.70	1300	VDE/CE	1.8	40	112	18	49	thermostat
34	IVQ34	120/34	0.85	1300	VDE/CE	2	45	121	22	53	thermostat
6	IUQ06	33/6	0.55	1550	UL	0.8	13	79	13	44	thermostat
10	IUQ10	55/10	0.80	1550	UL	1.1	19	85	13	44	thermostat
18	IUQ18	70/18	1.01	1550	UL	1.5	25	92	14	45	thermostat