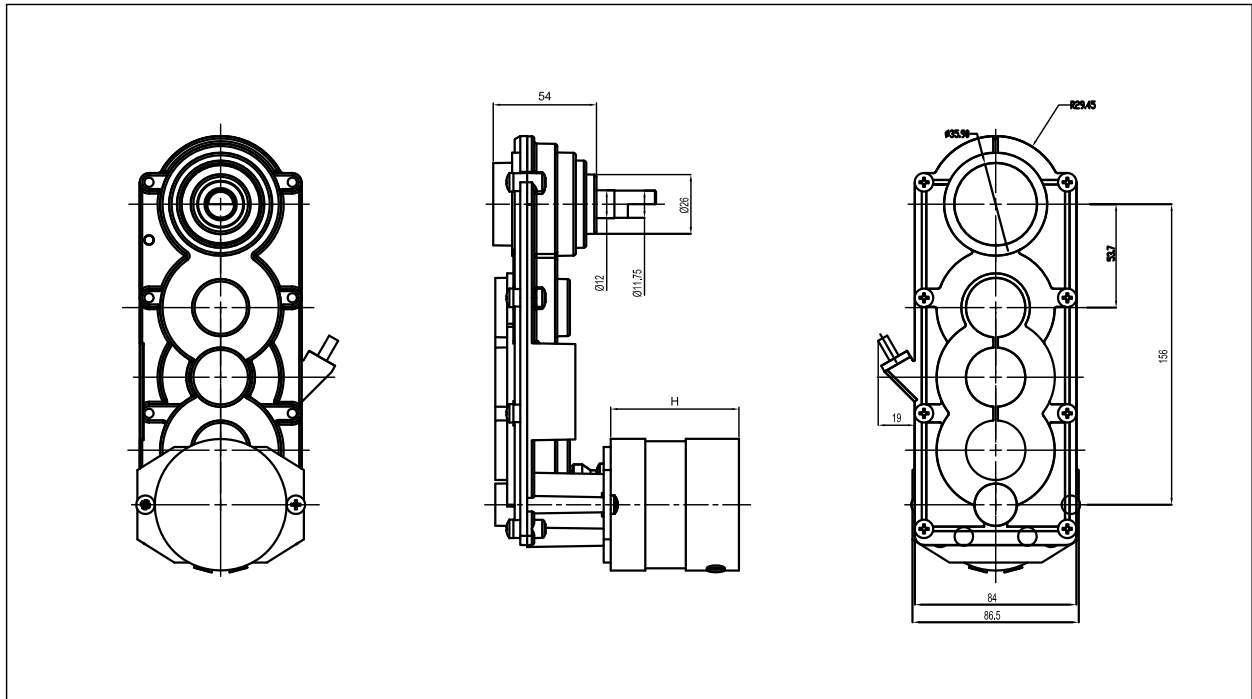


# Gearbox

## AC & BLDC Motor Driving

# ITG



### Applications:

This gearbox is specially designed for slushes, sherbets, frozen yoghurts and ice cream etc. machines. Shaded pole, AC capacitor and BLDC motors are used as driving system for different applications. Higher transmission efficiency and lower noise are its' advantage.

### Technical data:

Type	Voltage (V)	Load speed on motor	Motor output torque (N.m)	Power input (W)	Reduction ratio	H (mm)
57ZX01-10.019	DC24	4000	0.32 max.	50	81.42	55.5
57ZX02-10.056	DC24	6000	0.65 max.	90	81.42	76
57ZX02-10.057	DC24	6000	0.80 max.	120	81.42	76
57ZX03-10.058	DC24	6000	0.90 max.	150	81.42	95
57ZX03-10.200	DC24	6000	1.30 max.	200	81.42	76
SP6350-65	AC 230V/50Hz	2700	0.10 max.	65	81.42	80
AC6525-30	AC 230V/50Hz	2750	0.15 max.	30	81.42	85